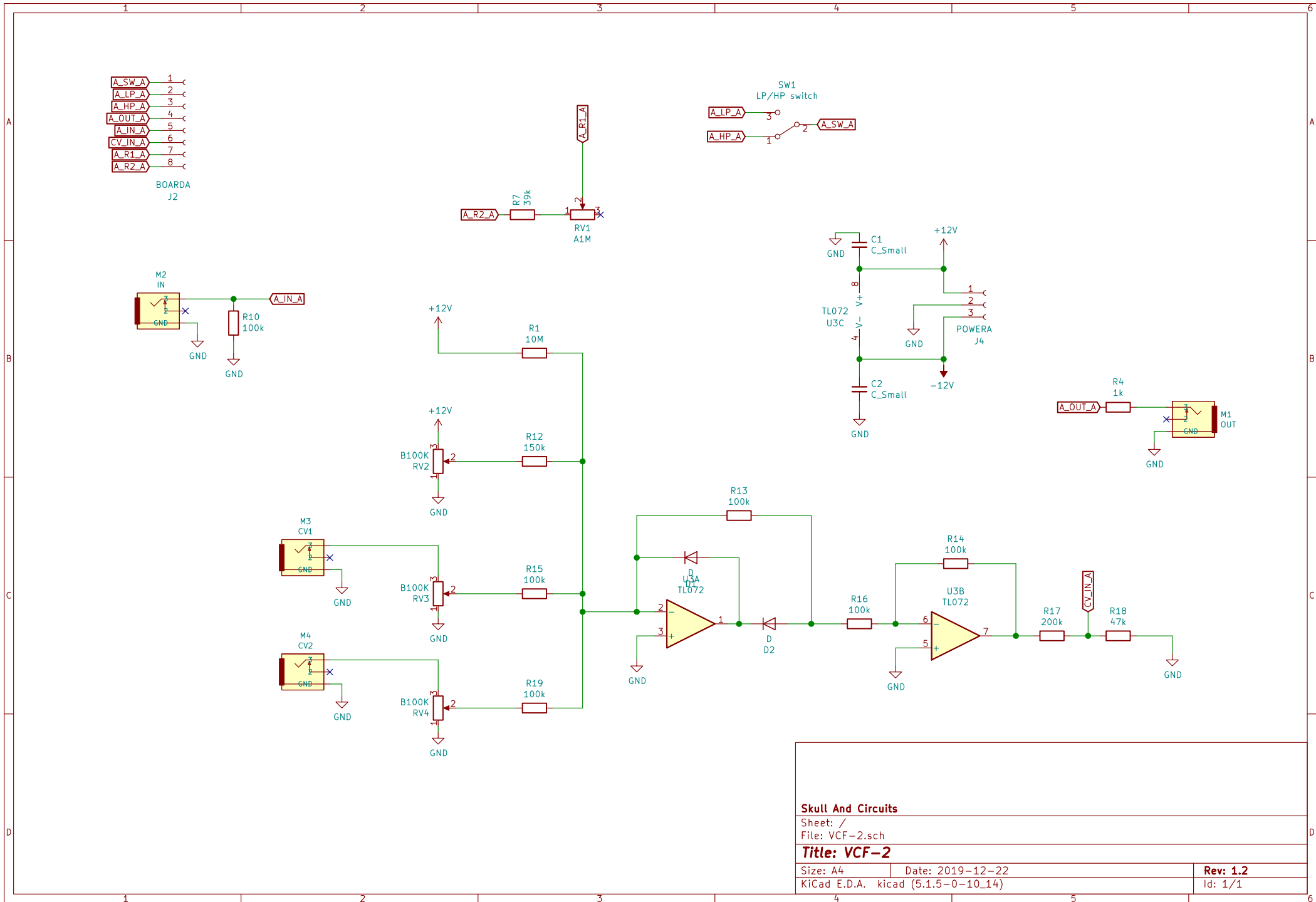


- A\_SW\_A 1 ←
- A\_LP\_A 2 ←
- A\_HP\_A 3 ←
- A\_OUT\_A 4 ←
- A\_IN\_A 5 ←
- CV\_IN\_A 6 ←
- A\_R1\_A 7 ←
- A\_R2\_A 8 ←

BOARDA  
J2

SW1  
LP/HP switch



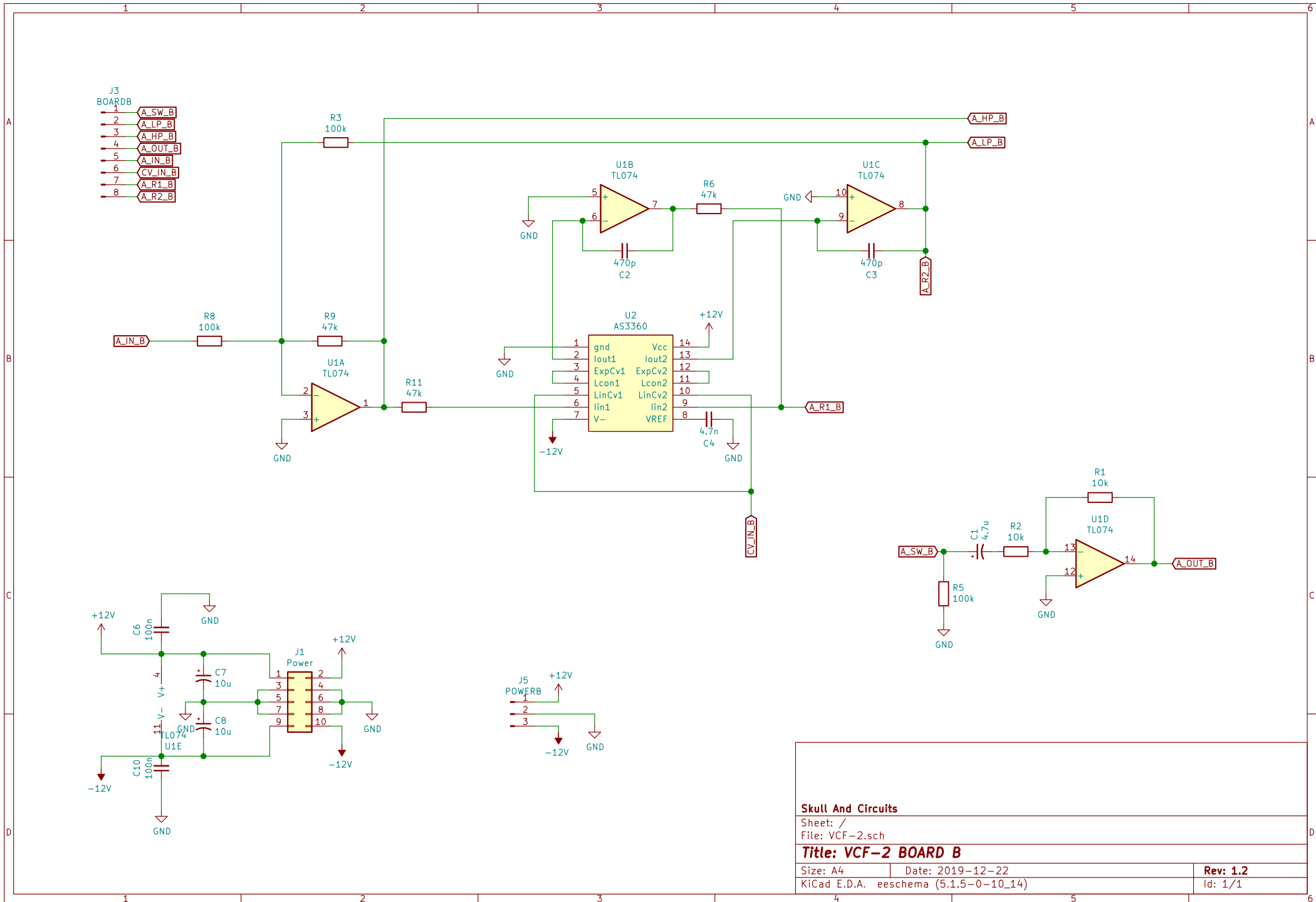
**Skull And Circuits**

Sheet: /  
File: VCF-2.sch

**Title: VCF-2**

Size: A4 | Date: 2019-12-22  
KiCad E.D.A. kicad (5.1.5-0-10\_14)

**Rev: 1.2**  
Id: 1/1



**Skull And Circuits**

Sheet: /  
File: VCF-2.sch

**Title: VCF-2 BOARD B**

Size: A4      Date: 2019-12-22  
KiCad E.D.A. eeschema (5.1.5-0-10\_14)

**Rev: 1.2**  
Id: 1/1